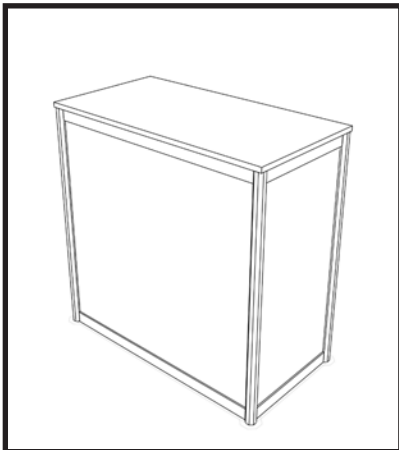
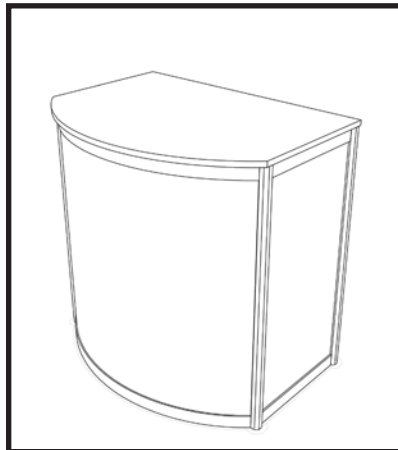


counters & plinths



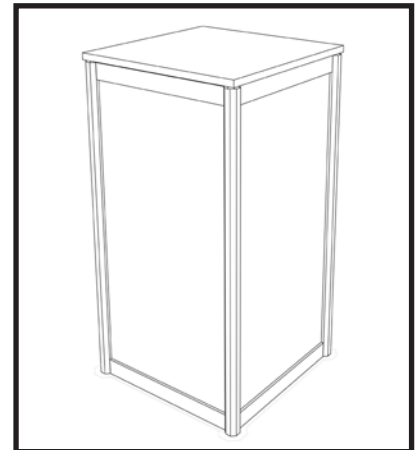
STORAGE COUNTER

40" W x 20" D x 40" H



CURVED COUNTER

40" W x 20" D x 40" H



PLINTH

20" W x 20" D x 40" H

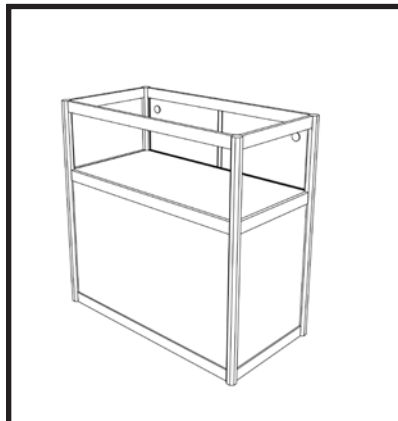
can be customized

showcases



**COUNTER SHOWCASE
1/2 VIEW**

40" W x 20" D x 40" H



**COUNTER SHOWCASE
1/3 VIEW**

40" W x 20" D x 40" H



**FULL VIEW TOWER
SHOWCASE**

40" W X 20" D X 96" H

show: **MOTORAMA 2023**
 discount price deadline: **FEBRUARY 24, 2023**

exhibitor information	
booth #:	company:
street:	
city:	prov/state: postal code:
phone #:	fax #:
email address: NEEDED FOR RECEIPT	
contact name:	

credit card authorization	
card type: <input type="checkbox"/> VISA <input type="checkbox"/> MASTERCARD <input type="checkbox"/> AMEX	
card #:	
expiry date:	cvv:
cardholder name:	
cardholder signature:	
<input type="checkbox"/> cheque attached (payable to BES Inc.)	

ALL ORDERS MUST BE PREPAID IN FULL.
 Orders cannot be delivered until payment is received

PAYMENT/CANCELLATION POLICY – Charges are for rental of items only. All items remain the property of BES, unless noted. All orders received after the stated deadline date, will be processed at the show price. Exhibitor is responsible for the care of all items for the duration of the event. Any discrepancies must be settled before show closing. Note that preparations for shows and events take place well ahead of time of delivery, hence, orders cancelled up to 7 days prior to show opening may be eligible for a 50% refund. Orders cancelled less than 7 days before opening may be eligible for up to a 25% refund depending on the nature of the order and the work performed. No refunds on equipment once it has been delivered to the booth.

COUNTERS & PLINTHS				
QTY	DESCRIPTION	DISCOUNT PRICE	SHOW PRICE	TOTAL
	Counter Storage Unit <input type="checkbox"/> Black <input type="checkbox"/> White	\$ 155.00	\$ 230.00	\$
	Curved Storage Counter <input type="checkbox"/> Black <input type="checkbox"/> White	\$ 295.00	\$ 420.00	\$
	20" Square Plinth <input type="checkbox"/> Black <input type="checkbox"/> White	\$ 120.00	\$ 180.00	\$

SHOWCASES				
QTY	DESCRIPTION	DISCOUNT PRICE	SHOW PRICE	TOTAL
	Glass Display Case (1/3 view)	\$ 325.00	\$ 440.00	\$
	Glass Display Case (full view)	\$ 375.00	\$ 510.00	\$
	Tower Showcase	\$ 368.00	\$ 525.00	\$

SUBTOTAL	
13% HST	
TOTAL	